

DEZEGA®

LIST OF SPARE PARTS AND ACCESSORIES

P-70

COMPRESSED-OXYGEN
CLOSED-CIRCUIT
SELF-CONTAINED
BREATHING APPARATUS

EN 145:1997+A1:2000

EN



0477
Category III

SKTB.01.P70.00.00.000 PI-MU
Red. 03.11.2025

TABLE OF CONTENTS

FEATURES AND BENEFITS.....	4
RELATED COMPONENTS.....	6
P-70 MAIN COMPONENTS.....	7
RELATED COMPONENTS (Harness system).....	8
RELATED COMPONENTS (Breathing system).....	9
RELATED COMPONENTS (Case).....	14
RELATED COMPONENTS (Electronic Measuring Device).....	15
RELATED COMPONENTS (Spare parts kit for annual inspection).....	17
TOOLS AND ACSESSORIES.....	18

DEZEGA®

Rated working duration - 4 hours

Positive pressure in the breathing circuit

Lightest and smallest on the market

Robust casing

Simple and reliable mechanical structure based on 37 years of experience

Possible to change cooling elements without doffing the breathing apparatus and case opening

Digital control and alarming system

Estimated duration time calculation

Personal ID card, data collection and sharing

Ergonomic harness system

Does not require special tools for assembling and daily maintenance

Low total cost of ownership

TECHNICAL FEATURES

Nominal working duration, NWD, hours	4
Oxygen cylinder capacity, dm ³	2
Pressure in the oxygen cylinder, MPa	25
Continuous oxygen supply, dm ³ /min	1,8±0,1
Oxygen capacity, not less dm ³	500
Weight of the soda lime CO ₂ absorber, not less, kg	2,3
Weight of an equipped breathing apparatus, kg	14
Demand valve opening pressure, Pa	≥ 0
Relief valve opening pressure, Pa	≤1000
Breathing apparatus dimensions (DxWxH), mm	582x400x175

FEATURES AND BENEFITS

P-70 0000092295

DEZEGA®

Real-time residual time calculation based on oxygen reserve and consumption rate for each team member

Easy RFID tag authorization & team creation

Real-time data transfer to team captain

Ergonomic design

Shoulder or waist mount

Wireless oxygen data sharing

Low energy BLUETOOTH® integrated

Oxygen pressure and leak tightness control

Warning and Alarm audio and light signalization

Sealed impact resistant housing

Replaceable protective glass and cover

Navigation buttons with a tactile response

Multifunctionality and multitasking

Localized user friendly interface

Simple display of information

Motion & gravity sensor

Auto-awakening with a lifting movement

Intrinsically safe, water proof

ATEX approved, IP67

Tracing oxygen consumed, distance, and angle of movement algorithm for the calculation of the time of work and oxygen reserve for returning to the starting point

Set warning signals thresholds at your own preference or use preset settings

Complete collection of information for further analysis, personalized graphing of oxygen consumption, work records, and environmental data

Two options for threaded connections of cylinders and oxygen distribution unit for working with different types of compressors: G3/4 or M22x1.5



RELATED COMPONENTS

P-70 0000092295

DEZEGA®



**DEZEGA CLEAR-VISION
Antifog**



**DEZEGA CO₂ Absorbent
D-SORB – 4,5 kg
DEZEGA CO₂ Absorbent
D-SORB – 40 kg**



RFID Tag
00000065162



Duracell MN1604
00000086534
Varta 4122
00000085958



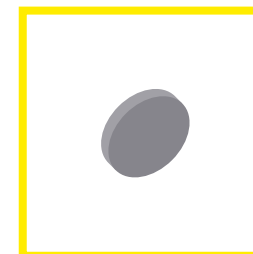
Frosting mold
00000093684



Medium pressure hose
00000065057



Thermos



Filtering element

P-70 MAIN COMPONENTS

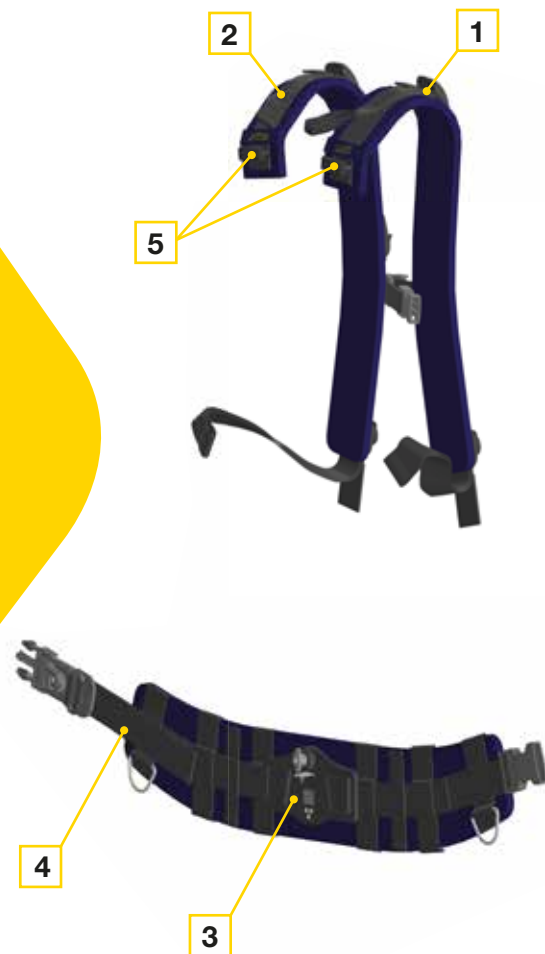
P-70 0000092295

DEZEGA®



Item	Designation	Name
1	0000065001	Shoulder belt (left)
2	0000065002	Shoulder belt (right)
3	0000086200	Waist belt
4	0000086532	Inhalation valve
5	0000092211	Exhalation valve
6	0000091906	Exhalation bag
7	0000091907	Inhalation bag
8	0000091908	Press-on gear
9	0000092125	Breathing hose system
10	0000047473	Plug
11	0000065008	Relief valve
12	0000065009	Frame
13	0000065010	Oxygen distribution unit
14	0000065012	Demand valve
15	0000092284	Case base
16	0000093205	Absorption cartridge sling
17	0000096842	Oxygen cylinder sling
18	0000092285	Case cover
19	0000065015	Oxygen cylinder with valve
20	0000093886	Oxygen cylinder valve
21	0000092619	Medium pressure coupling
22	0000065017	Moisture collector
23	0000065018	Electronic Measuring Device
24	0000065019	Cooler
25	0000065020	Absorption cartridge
26	0000093178	Spare parts kit for annual inspection
27	0000065058	Full face mask DEZEGA D-VISION QF
27.1		Full face mask DEZEGA D-VISION QF with communication device
28	0000092200	Breathing valve leaf
29	0000092625	Relief valve leaf
30	0000093796	O-ring-ISO3601-1-015A-14x1,78-N-FKM-70

Harness system



1. Shoulder belt (left)
0000065001



2. Shoulder belt (right)
0000065002



3. Waist belt
0000086200

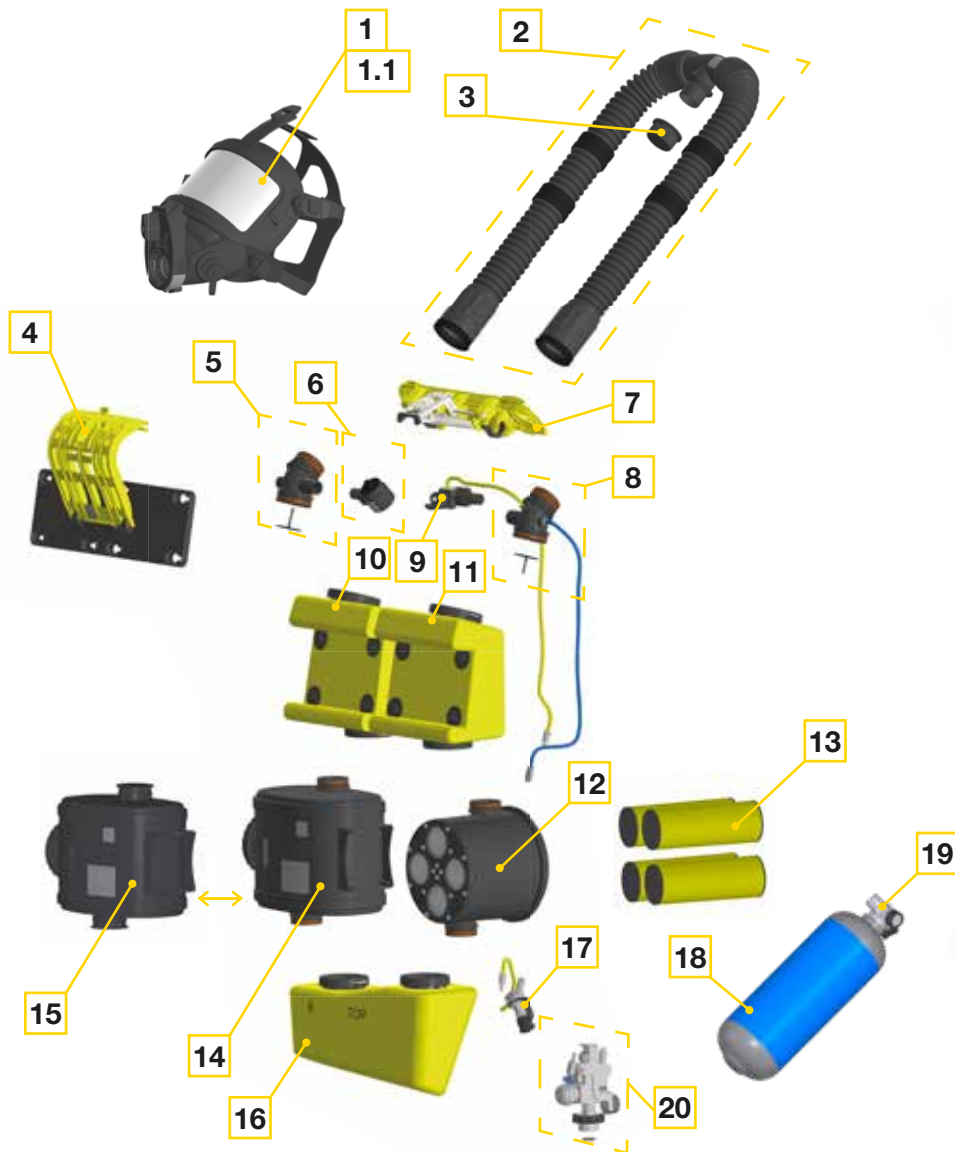


4. Belt extender
0000093643



5. Retainer
0000086275

Breathing system

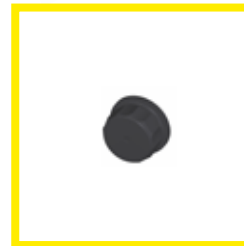


**1. Full face mask
DEZEGA D-VISION QF**
00000065058

**1.1 Full face mask
DEZEGA D-VISION QF
with communication device**



2. Breathing hose system
00000092125

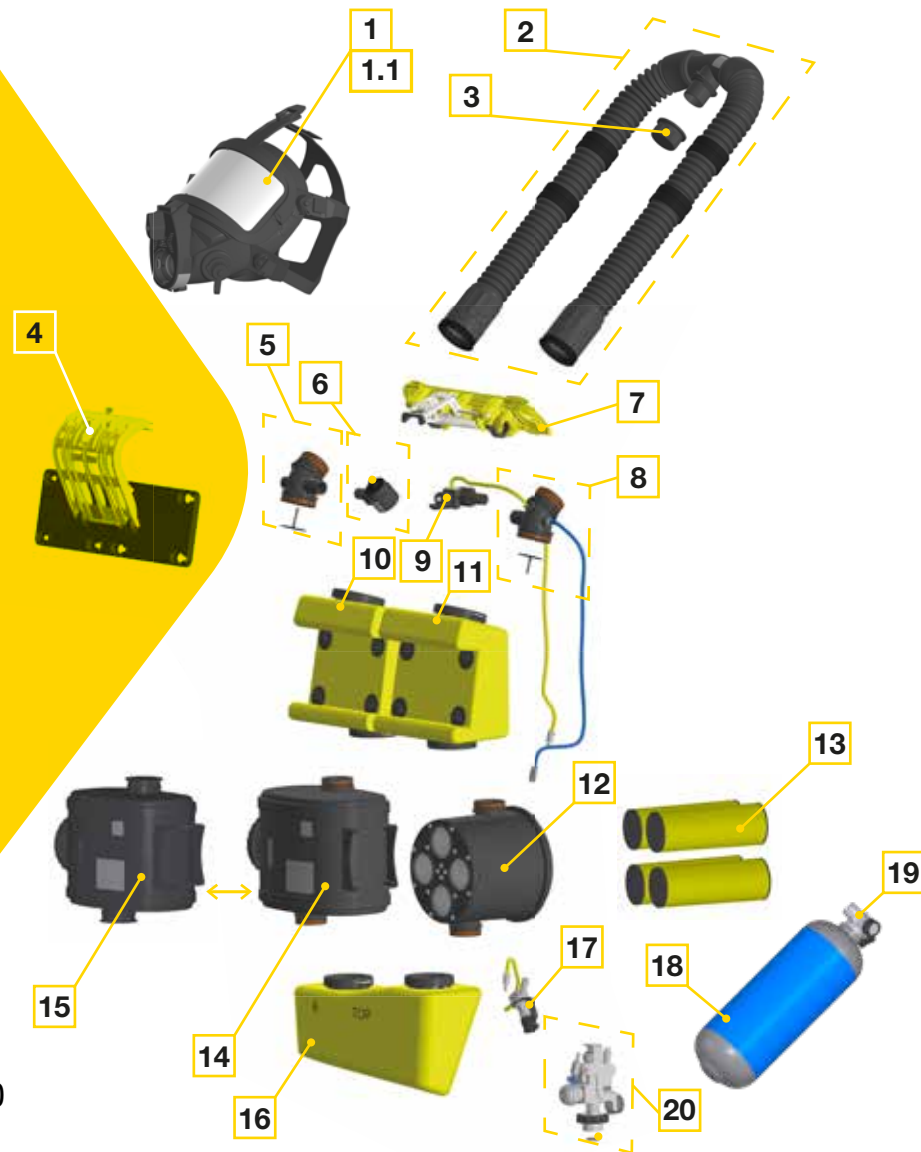


3. Plug
00000047473



4. Press-on gear
00000091908

Breathing system



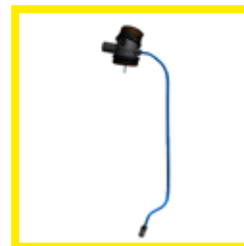
5. Exhalation valve
0000092211



6. Relief valve
0000065008

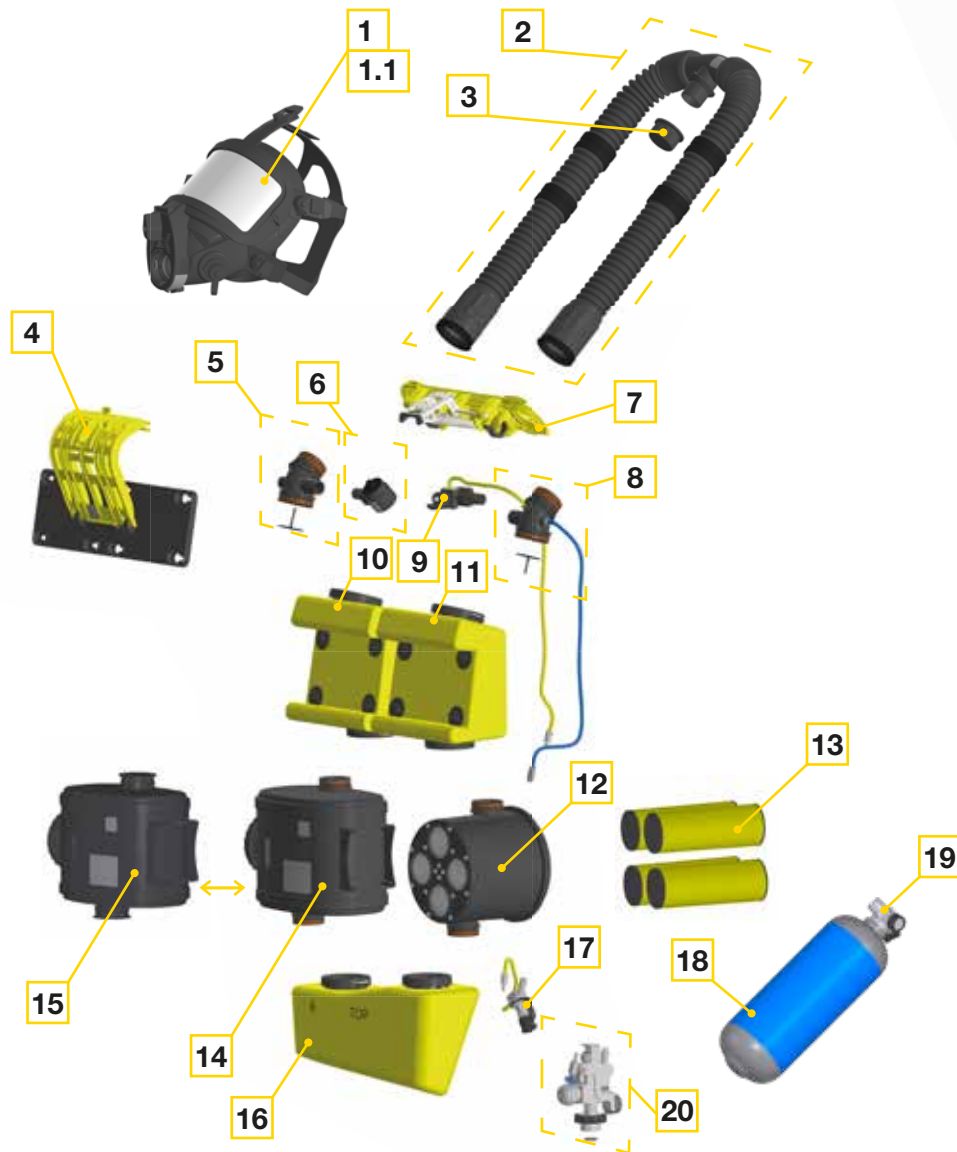


7. Frame
0000065009

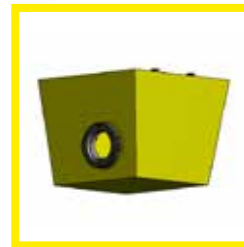


8. Inhalation valve
0000086532

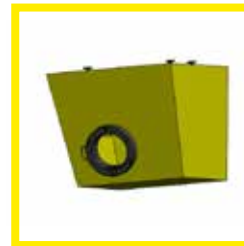
Breathing system



9. Demand valve
0000065012



10. Exhalation bag
0000091906

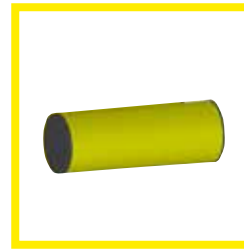
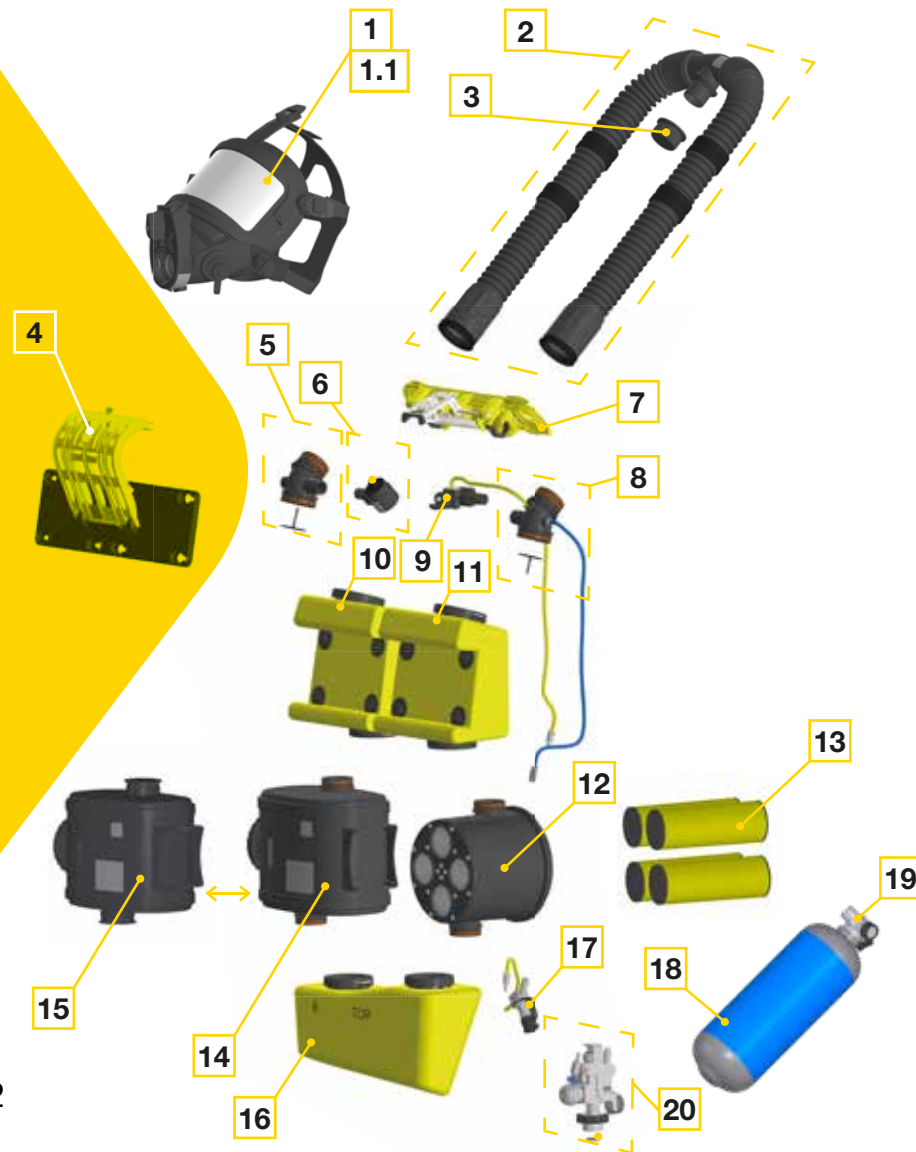


11. Inhalation bag
0000091907



12. Cooler
0000065019

Breathing system



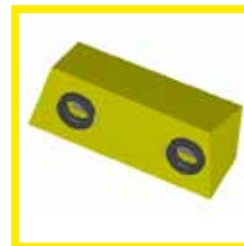
13. Cooling block
0000093685



14. Absorption cartridge
000006502

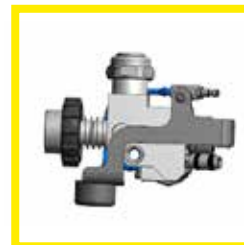
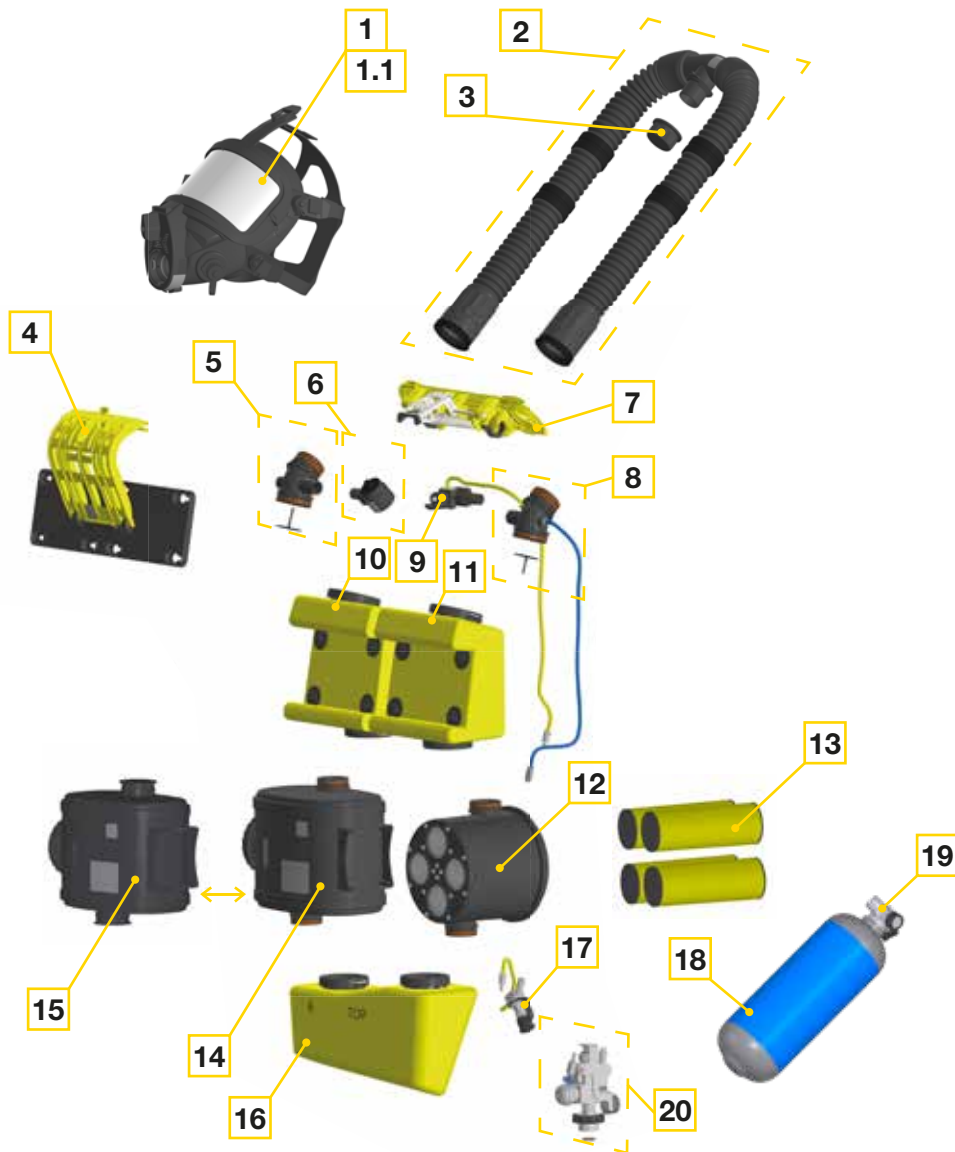


15. Single use absorbent cartridge
0000093642



16. Moisture collector
0000065017

Breathing system



17. Medium pressure coupling
0000092619

18. Oxygen cylinder with valve
0000065015

19. Oxygen cylinder valve
0000093886

20. Oxygen distribution unit
0000065010

Case



1. Case cover
0000092285

2. Case base
0000092284

3. Absorption cartridge sling
0000093205

4. Oxygen cylinder sling
0000096842

Electronic Measuring Device



1. Electronic Measuring Device

0000065018

2. Control unit

0000065161

3. Sensor Unit

0000065163

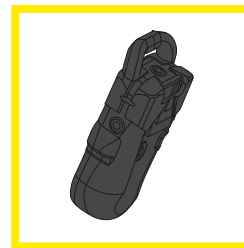
4. HP Sensor

0000065164

Electronic Measuring Device



5. LP Sensor
0000065165

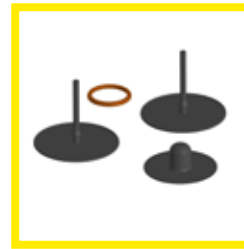
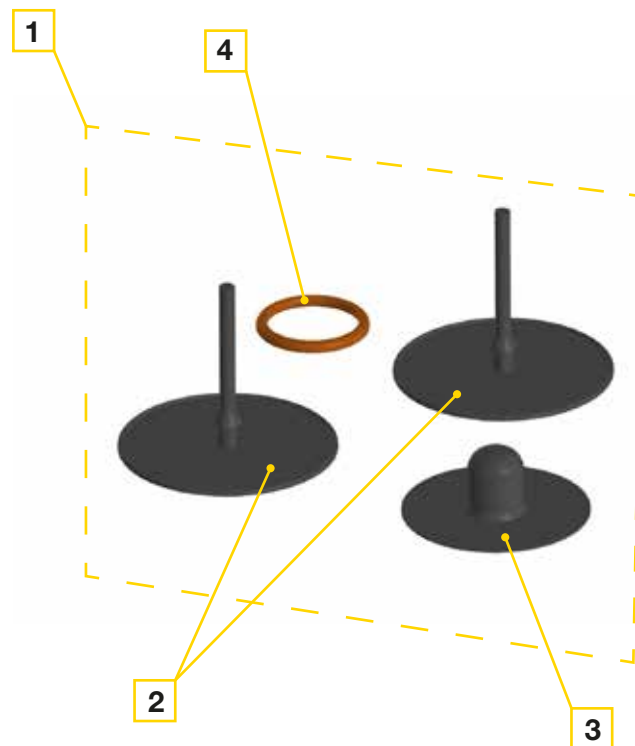


6. Shell
0000059195

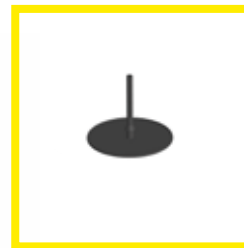


7. SU cover
0000056544

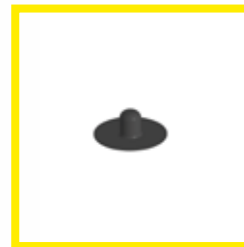
Spare parts kit for annual inspection



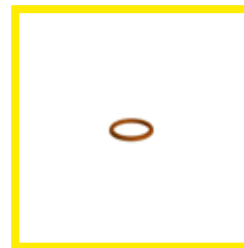
1. Spare parts kit for annual inspection
0000093178



2. Breathing valve leaf
0000092200



3. Relief valve leaf
0000092625



**4. O-ring-ISO3601-1-015A-
14x1,78-N-FKM-70**
0000093796



1. Medium pressure coupling mounting kit
00000093645



2. Adapter
G 1/2-A male - G 3/4-B female
00000093683



3. Adapter
G 1/2-A male - M22x1.5 B female
00000093705



4. Compactor
00000093688



5. Extractor
OPICK-PC
(Polycarbonate)
00000097351



6. Drinking device
00000086120



7. Bracket
00000065036



8. Hook
00000065037



**9. O-ring-ISO3601-1-015A-
14x1,78-N-FKM-70**
00000093796



**10. O-ring-ISO3601-1-229A-
59,92x3,53-N-FKM-75**
00000093182



**11. O-ring-ISO3601-1A-A0118-
11,8x1,8-N-FKM-75**
00000092647



12. O-Ring 38 x 2,5-FKM-75
00000092213



13. O-Ring 39 x 2,5-NBR-70
00000093005



14. O-Ring 43 x 2,5-FKM-75
00000092214



P-70

The 5-th
GENERATION

P-70

The 5-th
GENERATION